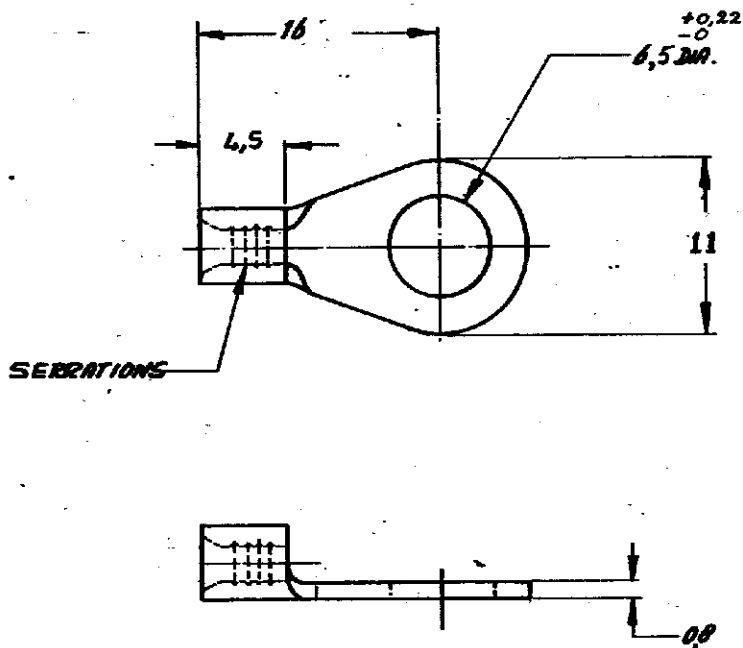


DRAWING MADE IN AMERICAN PROJECTION

PART NUMBER C-165299-E



DO NOT SCALE PRINT

CUSTOMER COPY FOR REFERENCE ONLY

©1967 BY AMP-HOLLAND N.V. ALL RIGHTS RESERVED A-MP PRODUCTS COVERED BY PATENTS AND/OR PATENTS PENDING.



AMP-HOLLAND N.V.
HERTOGENBOSCH
HOLLAND

165299	COPPER	TINPLATED
ORDER NO.	MATERIAL	PLATING
DR R. BONDY	DATE 16-67	CHK L. J. B. / 17-67
CHK	DATE	APP L. J. B. / 17-67

WIRE RANGE 15-25 mm ²	INSUL. RANGE —	TYPE - DIM - SOLLSTREND
SCALE —	LOC H	SIZE A
NAME RINGTONGUE stud: M 6		REV C
NO C-165299-E		